



**Active Safety**

AI powered  
active arcing protection



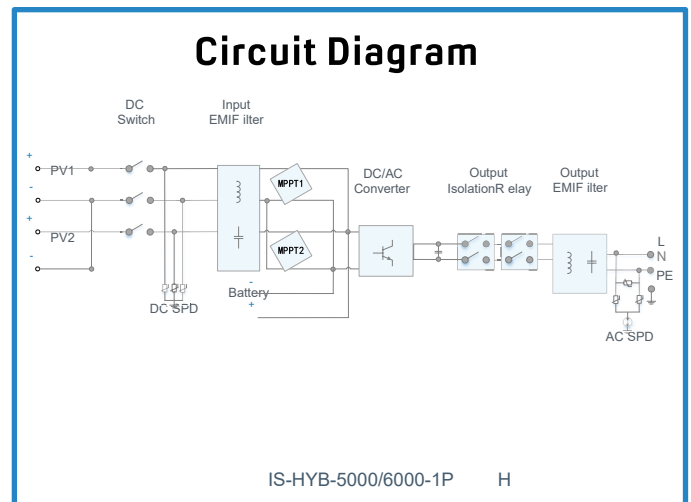
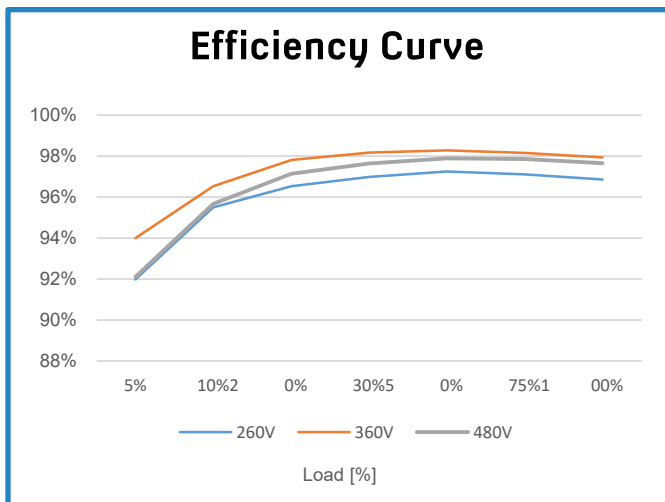
**Higher Yields**

More energy with  
full optimiser



**2x Power Battery Ready**

5KW AC Output plus  
5KW Battery Charge



**10 year warranty**  
(parts & labour)

**FREE 2 year warranty extension**  
(parts only)

# Technical Specifications

| MODEL                                  | IS-HYB-5000-1PH   | IS-HYB-6000-1PH |
|--|---|-----------------|
|  | <b>Efficiency</b>   |                 |
| Max. efficiency                        | 98.4 %  | 98.4 %          |
| European weighted efficiency           | 97.8 %  | 97.8 %          |
|  | <b>Input (PV)</b>   |                 |
| Recommended max. PV power <sup>2</sup> | 7,500 Wp  | 9,000 Wp        |
| Max. input voltage                     | 600 V   |                 |
| Start-up up voltage                    | 100 V   |                 |
| MPPT operating voltage range           | 90 V- 560 V   |                 |
| Rated input voltage                    | 360 V   |                 |
| Max. input current per MPPT            | 12.5 A  |                 |
| Max. short-circuit current             | 18 A  |                 |
| Number of MPP trackers                 | 2   |                 |
| Max. numberof inputs                   | 2   |                 |
|  | <b>Input (DC Battery)</b>   |                 |
| Compatible Battery                     | iStore ESS Battery 5 kWh - 30 kWh   |                 |
| Operating voltage range                | 350 ~ 560 Vdc   |                 |
| Max operating current                  | 15 A  |                 |
| Max charge / discharge Power           | 5,000 W <sup>1</sup>  |                 |
|  | <b>Output</b>   |                 |
| Grid connection                        | Single phase  |                 |
| Rated output power                     | 5,000 W   | 6,000 W         |
| Rated AC Apparent power                | 5,000 VA  | 6,000 VA        |
| Max. apparent power                    | 5,000 VA  | 6,000 VA        |
| Rated output voltage                   | 220 V / 230 V / 240 V   |                 |
| Rated AC grid frequency                | 50 Hz / 60 Hz   |                 |
| Max. output current                    | 21.7 A  | 27.3 A          |
| Adjustable power factor                | 0.8 leading ... 0.8 lagging   |                 |
| Max. total harmonic distortion         | ≤ 3 %   |                 |
| Backup power output                    | Yes (via Backup Box-5000 3 )  |                 |
|  | <b>Protection &amp; Feature</b>   |                 |
| Anti -Islanding protection             | Yes   |                 |
| DC reverse polarity protection         | Yes   |                 |
| Insulation monitoring                  | Yes   |                 |
| DC surge protection                    | Yes, compatible with TYPE II protection class according to EN/IEC 61643 -11                   |                 |
| AC surge protection                    | Yes, compatible with TYPE II protection class accordin g to EN/IEC 61643 -11                  |                 |
| Residual current monitoring            | Yes   |                 |
| AC overcurrent protection              | Yes   |                 |
| AC short-circuit protection            | Yes   |                 |
| AC overvoltage protection              | Yes   |                 |
| Over-heat protection                   | Yes   |                 |
| Arc fault protection                   | Yes   |                 |
| Battery reverse charging from grid     | Yes   |                 |
|  | <b>General Data</b>   |                 |
| Operating temperature range            | -25 ~ +60 °C (Derating above 45 °C @ Rated output power)                                      |                 |
| Relative operating humidity            | 0 %RH~100 %RH   |                 |
| Operating altitude                     | 0 ~ 4,000 m (Derating above 2,000 m)  |                 |
| Cooling                                | Natural convection  |                 |
| Display                                | LED indicators; integrated WLAN + iStorehome APP  |                 |
| Communication                          | RS485, WLAN via inverter built -in WLAN module<br>Ethernet via IS-Dongle- WLAN- FE (Optional) |                 |
| Weight                                 | 12 kG   |                 |
| Dimension (incl. mounting bracket)     | 365mm x 365mm x 156 mm  |                 |
| Degree of protection                   | IP65  |                 |
| Country of manufacture                 | China   |                 |
|  | <b>Optimizer Compatibility</b>  |                 |
| Compatible optimizer                   | SUN2000 - 600W - P <sup>4</sup>   |                 |
|  | <b>Standard Compliance (more available upon request)</b>                                      |                 |
| Safety                                 | IEC 62109-1, IEC 62109 -2   |                 |
| Grid connection standards              | AS4777.2:2020   |                 |

\*1. 2,500W @ 5kWh ESS Battery

\*2. According to AS4777.2:2020

\*3. Please consult the suppliers for the backup solution.

\*4. Please consult the suppliers for the specifications of the optimizer pairing