

**Safety first**  
Fuse free design



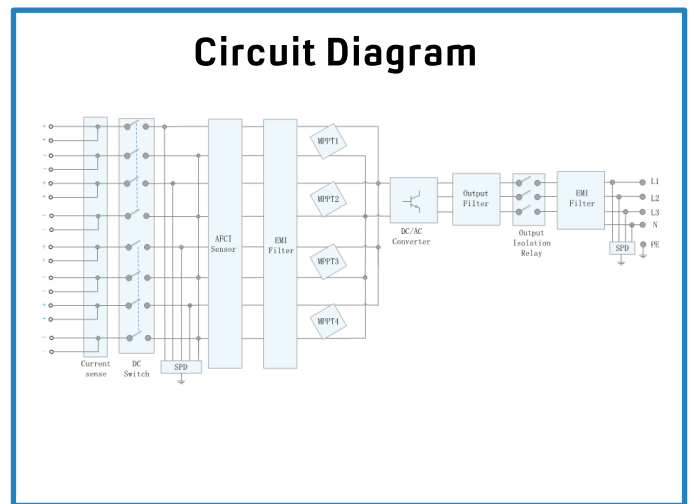
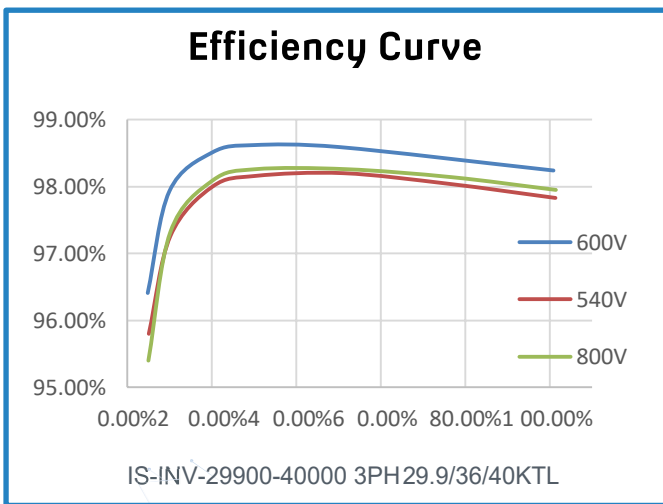
**Intelligent**  
8 strings intelligent monitoring



**Efficient**  
Max. efficiency  
98.7%



**Reliable**  
Surge arresters  
for DC & AC



**EXTENDED WARRANTY**

**10 year warranty**  
(parts & labour)

**FREE 2 year warranty extension**  
(parts only)

# Technical Specifications

Model	IS-INV-29900-3PH	IS-INV-40000-3PH
<b>Efficiency</b>		
Max. efficiency	98.7 %	
European weighted efficiency	98.4 %	
<b>Input (PV)</b>		
Max. input voltage	1,100 V	
Start-up up voltage	200 V	
MPPT operating voltage range	200 V - 1000 V	
Rated input voltage	600 V	
Max. input current per MPPT	26 A	
Max. short-circuit current	40 A	
Number of MPP trackers	4	
Max. numberof inputs	8	
<b>Input (DC Battery)</b>		
Compatible Battery	iStore ESS Battery 5 kWh - 30 kWh	
Operating voltage range	600 ~ 980 Vdc	
Max. operating current	16.7 A	
Max. charge power	10,000 W	
Max. discharge power	5,000 W	6,000 W
Max. number of connected batteries	2	
<b>Output</b>		
Grid connection	Three phase	
Rated AC Active power	29,000 W	40,000 W
Rated AC Apparent power	29,000 VA	40,000 VA
Rated output voltage	230 Vac / 400 Vac, 3W/N+PE	
Rated AC grid frequency	50 Hz / 60 Hz	
Rated Output Current	43.2 A	57.8 A
Max. output current	43.2 A	63.8 A
Adjustable power factor range	0.8 LG ... 0.8 LD	
Max. total harmonic distortion	≤ 3 %	
<b>Protection &amp; Feature</b>		
Input-side Disconnection Device	Yes	
Anti-islanding Protection	Yes	
AC Overcurrent Protection	Yes	
DC Reverse-polarity Protection	Yes	
PV-array String Fault Monitoring	Yes	
DC Surge Arrester	Yes	
AC Surge Arrester	Yes	
DC Insulation Resistance Detection	Yes	
Arc Fault Protection	Yes	
Ripple Receiver Control	Yes	
Integrated PID Recovery 3	Yes	
<b>General Data</b>		
Operating temperature range	-25 ~ +60 °C (Derating above 45 °C @ Rated output power)	
Relative operating humidity	0 %RH ~ 100 %RH	
Max. Operating Altitude	0 - 4,000 m	
Nosie Level	< 46 dB	
Protection Degree	IP 66	
Cooling Method	Natural Convection	
Weight	43 kg (94.8 lb)	
Dimension (incl. mounting bracket)	640 x 530 x 270 mm	
DC Connector	Staubli MC4	
AC Connector	Waterproof Connector + OT/DT Terminal	
Nighttime Power Consumption	≤5.5W	
Topology	Transformerless	
Country of manufacture	China	
<b>Communication</b>		
Display	LED Indicators, Integrated WLAN + iStorehome APP	
RS485	Yes	
Smart Dongle	WLAN/Ethernet via Smart IS-Dongle-WLAN	
Monitoring BUS (MBUS)	Yes (Isolation Transformer required)	
<b>Standard Compliance (more available upon request)</b>		
Safety	IEC 62109-1, IEC 62109 -2	
Grid connection standards	AS/NZS 4777.2_2020	

1. The maximum input voltage is the upper limit of the DC voltage. Any higher input DC voltage would probably damage inverter.

2. Any DC input voltage beyond the operating voltage range may result in inverter improper operating.

3. IS-INV-29900/40000 3PH raises potential between PV- and ground to above zero through integrated PID recovery function to recover module degradation from PID. Supported module types include: P-type (mono, poly), N-type (nPERT, HIT)