



Safety first
Fuse free design



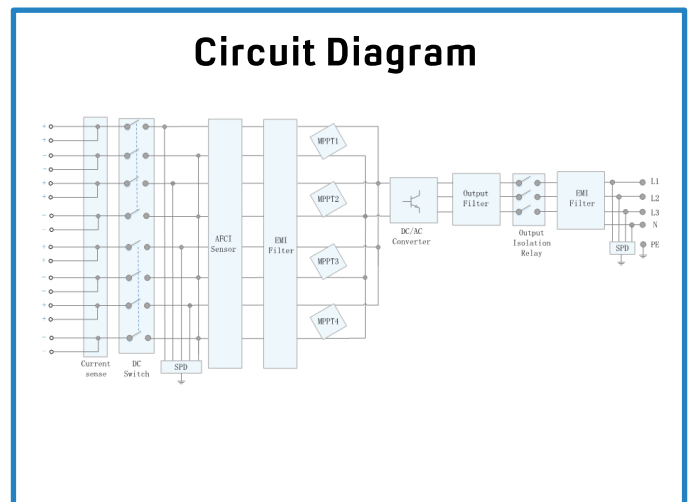
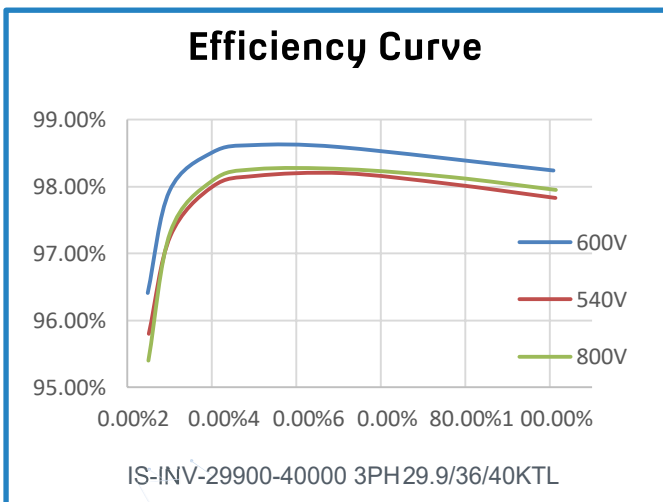
Intelligent
8 strings intelligent monitoring



Efficient
Max. efficiency
98.7%



Reliable
Surge arresters
for DC & AC



EXTENDED WARRANTY

10 year warranty
(parts & labour)

FREE 2 year warranty extension
(parts only)

Technical Specifications

Model	IS-INV-29900-3PH	IS-INV-40000-3PH
Efficiency		
Max. efficiency		98.7 %
European weighted efficiency		98.4 %
Input (PV)		
Recommended max. DC input power	44,850W	60,000W
Max. input voltage		1,100 V
Start-up up voltage		200 V
MPPT operating voltage range		200 V - 1000 V
Rated input voltage		600 V
Max. input current per MPPT		27 A
Max. short-circuit current		40 A
Number of MPP trackers		4
Max. numberof inputs		8
Output		
Grid connection		Three phase
Rated AC Active power	29,900 W	40,000 W
Rated AC Apparent power	29,900 VA	40,000 VA
Rated output voltage		230 Vac / 400 Vac, 3W/N+PE
Rated AC grid frequency		50 Hz / 60 Hz
Rated Output Current	43.2 A	57.8 A
Max. output current	43.2 A	63.8 A
Adjustable power factor range		0.8 LG ... 0.8 LD
Max. total harmonic distortion		≤ 3 %
Protection & Features		
Input-side Disconnection Device		Yes
Anti-islanding Protection		Yes (AFD)
Protection Class		1
AC Overcurrent Protection		Yes
DC Reverse-polarity Protection		Yes
PV-array String Fault Monitoring		Yes
DC Surge Arrester	Yes, Compatible with type II protection class according to EN/IEC 61643-11	
AC Surge Arrester	Yes, Compatible with type II protection class according to EN/IEC 61643-11	
DC Insulation Resistance Detection		Yes
Arc Fault Protection		Yes
Ripple Receiver Control		Yes
Integrated PID Recovery 3		Yes
General Data		
Operating temperature range	-25 ~ +60 °C (Derating above 45 °C @ Rated output power)	
Relative operating humidity	0 %RH ~ 100 %RH	
Max. Operating Altitude	0 - 4,000 m	
Nosie Level	< 46 dB	
Protection Degree	IP 66	
Cooling Method	Natural Convection	
Weight	43 kg (94.8 lb)	
Dimension (incl. mounting bracket)	640 x 530 x 270 mm	
DC Connector	Staubli MC4	
AC Connector	Waterproof Connector + OT/DT Terminal	
Nighttime Power Consumption	≤5.5W	
Topology	Transformerless	
Country of manufacture	China	
Communication		
Display	LED Indicators, Integrated WLAN + iStorehome APP	
RS485	Yes	
Smart Dongle	WLAN/Ethernet via Smart IS-Dongle-WLAN	
Monitoring BUS (MBUS)	Yes (Isolation Transformer required)	
Standard Compliance (more available upon request)		
Safety	IEC 62109-1, IEC 62109 -2	
Grid connection standards	AS/NZS 4777.2_2020	

1. The maximum input voltage is the upper limit of the DC voltage. Any higher input DC voltage would probably damage inverter.

2. Any DC input voltage beyond the operating voltage range may result in inverter improper operating.

3. IS-INV-29900/40000 3PH raises potential between PV- and ground to above zero through integrated PID recovery function to recover module degradation from PID. Supported module types include: P-type (mono, poly), N-type (nPERT, HIT)