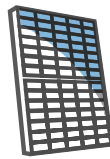




Active Safety

AI powered
active arcing protection



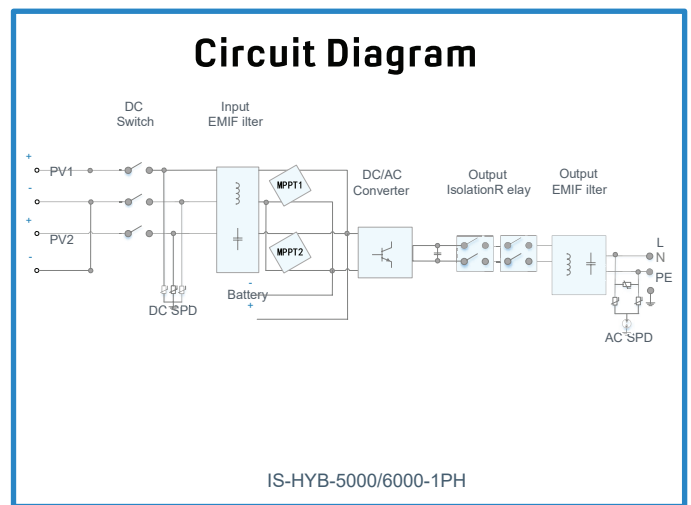
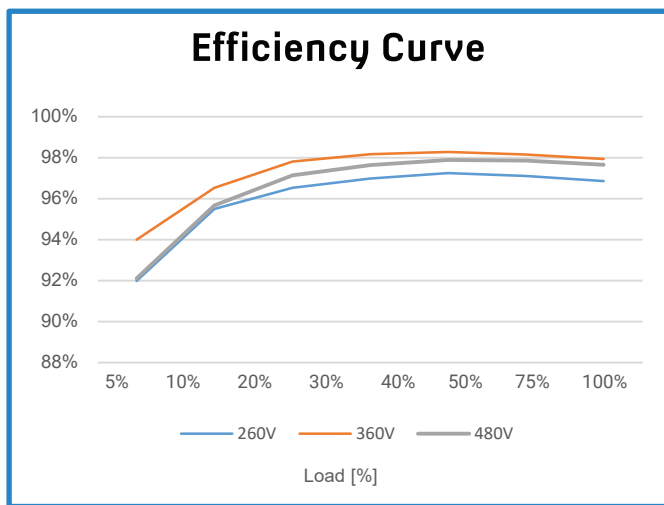
Shade Mitigation

Higher yield with MPPT
multi-peak scanning



2x Power Battery Ready

5KW AC Output plus
5KW Battery Charge



10 year warranty
(parts & labour)

FREE 2 year warranty extension
(parts only)

Technical Specifications

MODEL	IS-HYB-5000-1PH	IS-HYB-6000-1PH
	Efficiency	
Max. efficiency	98.4 %	98.4 %
European weighted efficiency	97.8 %	97.8 %
	Input (PV)	
Recommended max. PV power ²	12,500 Wp	15,000 Wp
Max. input voltage	600 V	
Start-up up voltage	100 V	
MPPT operating voltage range	90 V- 560 V	
Rated input voltage	360 V	
Max. input current per MPPT	12.5 A	
Max. short-circuit current	18 A	
Number of MPP trackers	2	
Max. numberof inputs	2	
	Input (DC Battery)	
Compatible Battery	iStore ESS Battery 5 kWh - 30 kWh	
Operating voltage range	350 ~ 560 Vdc	
Max operating current	15 A	
Max charge / discharge Power	5,000 W ¹	
	Output	
Grid connection	Single phase	
Rated output power	5,000 W	6,000 W
Rated AC Apparent power	5,000 VA	6,000 VA
Max. apparent power	5,000 VA	6,000 VA
Rated output voltage	220 V / 230 V / 240 V	
Rated AC grid frequency	50 Hz / 60 Hz	
Max. output current	21.7 A	27.3 A
Adjustable power factor	0.8 leading ... 0.8 lagging	
Max. total harmonic distortion	≤ 3 %	
Backup power output	Yes (via Backup Box-5000 3)	
	Protection & Feature	
Anti -Islanding protection	Yes	
DC reverse polarity protection	Yes	
Insulation monitoring	Yes	
DC surge protection	Yes, compatible with TYPE II protection class according to EN/IEC 61643 -11	
AC surge protection	Yes, compatible with TYPE II protection class accordin g to EN/IEC 61643 -11	
Residual current monitoring	Yes	
AC overcurrent protection	Yes	
AC short-circuit protection	Yes	
AC overvoltage protection	Yes	
Over-heat protection	Yes	
Arc fault protection	Yes	
Battery reverse charging from grid	Yes	
	General Data	
Operating temperature range	-25 ~ +60 °C (Derating above 45 °C @ Rated output power)	
Relative operating humidity	0 %RH~100 %RH	
Operating altitude	0 ~ 4,000 m (Derating above 2,000 m)	
Cooling	Natural convection	
Display	LED indicators; integrated WLAN + iStorehome APP	
Communication	RS485, WLAN via inverter built -in WLAN module Ethernet via IS-Dongle- WLAN- FE (Optional)	
Weight	12 kG	
Dimension (incl. mounting bracket)	365mm x 365mm x 156 mm	
Degree of protection	IP65	
Country of manufacture	China	
	Standard Compliance (more available upon request)	
Safety	IEC 62109-1, IEC 62109 -2	
Grid connection standards	AS4777.2:2020	

*1. 2,500W @ 5kWh ESS Battery

*2. If the string design is under the inverter's max voltage and current input limits, and a compatible DC-coupled battery is connected. Please refer to oversizing guidelines document.

*3. Please consult the suppliers for the backup solution

*4. Please consult the suppliers for the specifications of the optimizer pairing